

# Munro Hollower Demo

by **Carl Ford**, 01/19/2015

## 3 Big Tips:

1. Learn to crawl before you try to run a marathon!

Start with small projects. 5 to 6" diameter and not more than 8" tall.

Don't try to hollow thru a small hole. Start with big mouth hollow forms.

2. The tool is **NOT** clogged with wood shavings!

Any time you look at the Munro Hollower it will appear to be clogged with wood shavings stuck between the cutter and depth gauge on top.

It is NOT clogged! Just push the tool into the wood and it will magically unclog itself!

3. Get a Laser Thickness Gauge. It will drastically reduce your hollowing learning curve!

You learn when you relax. You relax when you stop worrying about going thru the side of a hollowing form and blowing it up!

You stop worrying about blowing up hollow forms when you know at all times where you are within the hollow form.

You can spend years developing your sic sense about where you are inside of the hollowing form or you can purchase a laser thickness gauge



Carl Ford's G6 Laser



**Updated 9/4/2020: Beware! This is an old handout. I now do most of my hollowing with a Trent Bosch "3/4" Hollowing Tool Stabilizer" with a Bosch "3/4" Carbide Straight Hollowing Tool" and a "Trent Bosch Visualizer" TV rig. The Bosch hollowing tool at \$90 is a LOT CHEAPER than a Munro Hollower2 at \$370. There is still some good info in this handout. Thus, I am leaving it on the web.**

## More Tips

1. Get a Carbide Cutter for your Munro Hollower!



At \$24 the carbide cutter for the Munro Hollower2 is not cheap. But it is a great investment because it will really speed up the learning process.

The HSS cutters that come standard with the Munro Hollowers suck because you have to stop often to rotate the cutter to a new sharp area or sharpen the cutter. Sharpening the cutter is extremely frustrating!

Each time you stop to dork with the cutter and then go back to work. It is like you have a completely new tool that you have to learn to use all over again from scratch!

I only, really learned to use and love the Munro Hollower **after** I broke down and spent the money for a carbide cutter. Up until then I was really frustrated because when I finally got the depth gauge adjusted correctly and the tool was cutting great, I had to stop and rotate the HSS cutter to a new sharp area. Each time I had to move the depth gauge out of the way so I could grab the cutter and rotate it without cutting myself. Then I had to start all over again dorking with the depth gauge. I never had time to learn. Because, I spent all my time dorking with the depth gauge, on a tool that kept changing its stripes!

The carbide cutter stays sharp, like forever. I only need to rotate it every couple of months. So I never need to dork with the depth gauge. So the tool is always the same tool each time I use it!

2. Run the lathe slow. **Like 500 rpm or slower**

The Munro Hollower cuts beautifully at 500 rpm. Faster, just makes bad things happen faster!

With the lathe running slow you can open up the gap between the cutter and depth gauge so it will not clog easily. While at the same time it will not cut too deep/fast because the lathe is running slow.

With the lathe running slow it is a lot easier to create a nice smooth shape on the inside of the hollow form. You don't have to rush the cut to keep up with the speed at which the cutter is cutting.

Chalk

If you want to take a bigger cut then open up the depth gauge on the hollower rather than increasing the lathe speed.

3. Run your lathe in reverse! So you don't need to lean out over the bed of the lathe. This allows you to hollow with your body. Move with your legs rather than your arms, like you do when turning a bowl.

It also allows you to look down the shaft of hollow tool. Easier to judge where you are inside of a hollow form.

Use set screws to secure your chuck or faceplate before turning in reverse.

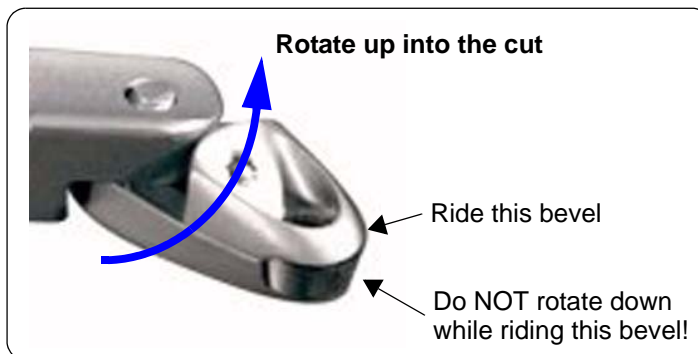
4. Ride the bevel on the depth gauge above the cutter!

To start a cut, trail the tool down and rotate the tool up into the cut.

This allows you to slowly engage the cutter.

If you rotate **up** then you can ride on the depth gauge and cut a little **WITHOUT** fully engaging the cutter.

**DO NOT** rotate down into cut! If you ride the bevel on the cutter and then rotate **down** the cutter will dig in and instantly start to take a full cut!



5. Keep the gap between cutter and depth gauge small!

Rolly recommends 0.5mm or less. When roughing I often do my own thing and use 1mm or so.

See Rolly's video on You Tube "Munro Hollower Depth Gauge Adjustment and Tool Positioning" <http://youtu.be/IFVrtRopITU>

6. Adjust the links so the cutter is in line with the tool shaft when ever possible.

This minimizes the amount of rotational torque create when the cutter cuts. i.e. it minimizes the amount of rotational torque you have to counter act with hand and arm muscles.

The shaft should be horizontal across the tool rest.

7. Practice on the **OUTSIDE** of a bowl or hollow form!

This is what Rolly does in his demos and videos.

The tool is never going to work for you on the inside, if you can't make the tool work on the outside where you can see it!

8. Look for MunroTools (one word) on You Tube to find Rolly's videos.

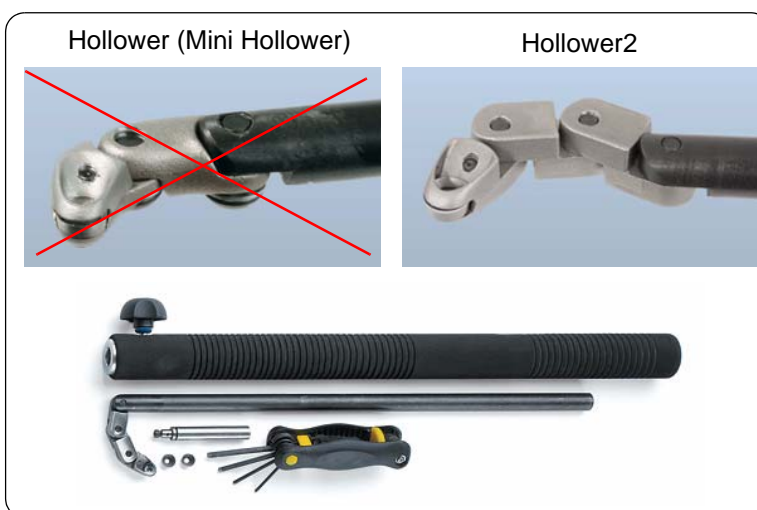
### [Munro Hollower versus Hollower2](#)

Rolly Munro had/has a couple of versions of his tools.

I like the Munro "Hollower2". Also known as the "Hollower II". All of the links in the Hollower2 head are straight (rather than curved). This allows you to use the Hollower2 with the lathe in forward or reverse.

The older "Hollower", that is some times now called the "Mini Hollower" had a curve in the cutter link. This made it difficult to use in the bottom of hollow forms and made it completely useless if you wanted to turn with the lathe in reverse.

I have both and **I strongly prefer the Hollower2.**



Eraser

Chalk

### Sharpening Munro Cutter

When the round Munro cutter needs to be sharpening you can start by just rotating it to expose a new edge. After you use up all of the edges then you have to sharpen it.

The high speed steel (HSS) cutter that ships with Munro Hollower2 can be sharpening on a grinding wheel by holding it up to the grinding wheel like a gouge. The tool comes with a sharpening mandrel that spins for use with a grinder. Note: You can **not** sharpen carbide on a regular grinding wheel.

I strongly recommend you **DO NOT** use a grinder. Getting the angle right when you hold it up to the grinder is damn near impossible! If the angle is not perfect then the grinder will almost instantly make a mess. The cutter will become virtually worthless.

I recommend power honing the cutter. I use a diamond hone. A diamond can be use to sharpen HSS or carbide. I remove the cutter from the hollower tool and mount it on the sharpening mandrel that comes with the tool. I wrap electrical tape around the mandrel to disable the "it spins" feature and then mount it in a drill chuck in the headstock of the lathe (or in a drill press). I run the lathe at around 1000 rpm and hold a diamond hone up to the cutter.

I really like this method because I can easily see and control where the hone is making contact with the cutter. See photo at right. I start with the hone just touching the back edge of the cutter than then rotate the hone up until it hones entire edge.

### Munro Shear Scrapper

personally do not use the Munro Shear Scrapper. Because, I do not scrape the inside of my hollow forms. I known people who love and swear by the Munro Shear Scrapper. I have one and I have used it. I think it is one of the best scrapers out there for the inside of hollow forms.



### Torque Arresting Tool Rest

I made my own Torque Arresting Tool Rest similar to Don Derry's system. I almost always use it with my Ellsworth style hollowing tools to deal with the torque created by those tools.

I don't seem to need it with Munro Hollower2. I don't really know if this is due to the design of the Munro hollower or because I have gotten a lot better at hollowing in the last 10 years. I suspect it is a little of both.

You would have to supply your own square or hexagon shaft to use the Munro hollower in a torque arresting tool rest. No big deal. If you are interested see my "Small Vases and Hollow Forms" PDF handout at [http://www.carlford.info/pages/demos\\_classes/small\\_vases/Small\\_Vases\\_Demo.pdf](http://www.carlford.info/pages/demos_classes/small_vases/Small_Vases_Demo.pdf)

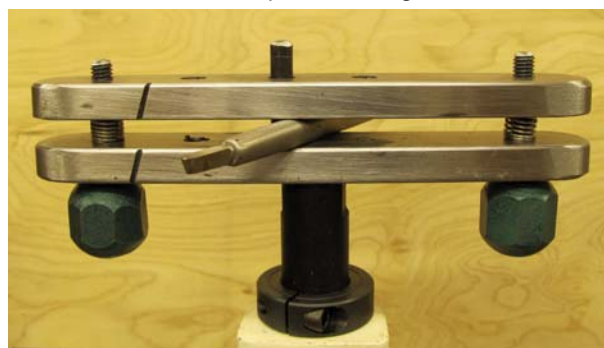
Carl Ford's Honing Method



Note: Red electrical tape fixes the "it spins" problem.



Carl Ford's Torque Arresting Tool Rest



Eraser

Chalk

## Captured Bar Hollowing Systems

I personally do not like the captured bar systems (the Jamieson system, etc.). I can never find a place to grip them were I feel comfortable. I can't use my body to guide the tool the way I use my body while turning with a bowl gouge.

If I had to choose a captured bar system, I like the Steve Sinner system ([www.advancedlathetools.com](http://www.advancedlathetools.com)) better than all the rest. Welding 2 boring bars side by side makes a hell of a lot more sense than the D handle shape used by Jamieson, etc. The 2 side by side bars increase the rigidity of the boring bar and feel more like using a bowl gouge.

Steve Sinner System



Steve also sells a Munro Hollower2 head with a carbide cutter for his system.

I don't own Steve's system. But, I have seen Steve demo it and I have handled it at a show.

## Elbow Hollowing Systems

I like the idea behind elbow tools a lot better than Captured Bar Hollowing systems. Using them is more like using a bowl gouge.

Updated: 1/16/15, I now own and use Trent Bosch's ([www.trentbosch.com](http://www.trentbosch.com)) elbow tool. I use my 5/8" Munro Hollower2 tool in Trent's 3/4" elbow tool with a 3/4" to 5/8" reducer. You get a lot of steel for your money. It is built like a tank! I really like it!

Trent calls his elbow tool a "Hollowing Tool Stabilizer". It is built like a tank and has a silky smooth movement. I also like that it comes with it's own built in tool rest and thus you only need the one banjo that came with your lathe. Trent sells it in 5/8" and 3/4" bar versions. Around \$250 for 5/8" tool. \$350 for the 3/4" tool.



Trent Bosch  
Hollowing  
Tool  
Stabilizer

On my stabilizer, I replaced the 5/16"-18 set screw on the side of the post where you mount the Munro tool with a 5/16"-18 x 3/4" thread stub knob ([www.mcmaster.com](http://www.mcmaster.com) #59625K78, \$2). This allows me to easily reach over while using the Munro tool and adjust the tool rotation angle. You can loosen the knob, rotate the tool up into the cut, and then tighten the knob.

Note: Trent's 3/4" to 5/8" reducer is real nice but it is aluminum. It can flex and deform. If I had to do again, I would eliminate the reducer by purchasing a 3/4" Munro tool.

## Al Stirt Tools

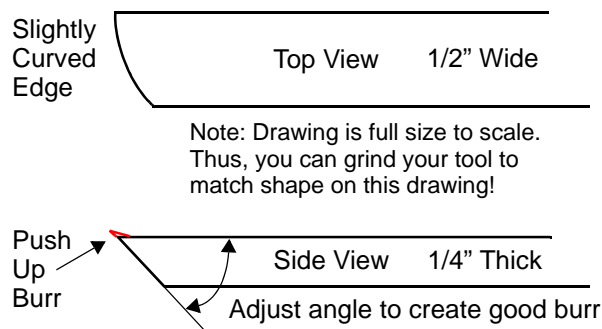
I like to use a Al Stirt style shear scrapper to finish the outside of my hollow forms. I can easily create a surface that almost does not require sanding.

### **Al Stirt - Sheer Scrapper for Cutting Shallow Coves**

M2 Steel, 1/2" Wide by 1/4" Thick Square End Scrapper ([www.packardwoodworks.com](http://www.packardwoodworks.com) #100154) ground to Al's shape. See drawing on right.

The scrapper cuts due to the burr. Thus this tool **must be** M2 not some other "harder" steel. If steel is to hard you will not be able to create a good burr.

### **Al Stirt Shear Scrapper**



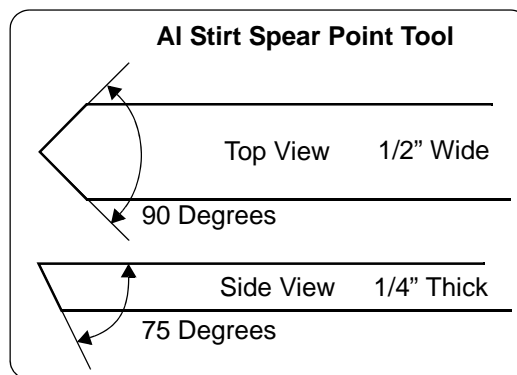
Use a diamond hone to remove any burr created by grinder. Then use a burnishing rod or Veritias "Scrapper Burnisher for Turners" to turn on a burr on end of scrapper.

**DO NOT use on INSIDE of Bowls.** Only on the OUTSIDE. Use the Alan Stirt - Finishing Gouge on the inside!

### Al Stirt - Spear Point for Cutting Groves

Like a Richard Raffan Spear Point tool, but the point is less pointed. Only 90 degrees so it cuts a wider groove without going too deep.

M2 Steel, 1/2" Wide by 1/4" Thick Square End Scrapper  
([www.packardwoodworks.com](http://www.packardwoodworks.com) #100154) ground to Al's shape.  
See drawing on right.



### Burnisher

You can use any hardened steel rod to turn up on a burr on your scrapers. I like the Veritias "Scrapper Burnisher for Turners". It is not cheap at around \$46 but it does a great job.



### Morse Taper Shank Drills

I like to use Morse Taper drills in the tailstock of my lathe to drill holes.

When hollowing the question is to drill or not to drill? Real men don't drill center/depth holes. But smart people do! The center hole makes it a lot easier to hollow. No nib to deal with.

I like a 5/8" or larger hole when using Munro Hollower. A 1" or larger hole allows you to fit the head of the Munro Hollower into the hole. I have a 1-1/8" drill that works great!

EBay is a good place to purchase large Morse Taper drills cheap. Or purchase them from Victor Machinery <http://www.victornet.com>.

See my Blog for more info "Morse Taper Drills on Ebay" <http://carlford.info/blog/2014/03/morse-taper-drills-on-ebay>



### Oneway Versa-Mount Faceplates

I really like the Oneway Versa-Mount system. It allows you to quickly and easily mount a large chunk of wood onto the lathe with just a small twist.

First you screw the Versa-Mount coupling onto your lathe. Then screw the faceplate ring to your blank. Then you just slip the faceplate ring over the coupling and give it a small twist.

Don't be fooled by the 3 bolts on the faceplate rings. They are **not** handling most of the force while turning. The force is handled by the mating surface between versa-mount coupling and the center cutout on the faceplate rings. Oneway's Versa-Mount is very similar to Bayonet head on my VB36 Bowl Lathe. You can mount logs 4 feet long by 4 feet in diameter on the Bayonet head of VB36 lathe!



### Steady Rest

When hollowing vases, etc. you often need a steady rest. I like Steve Sinner's steady rest. See photo of Steve Sinner's captured bar system above. I don't have one. I don't need one on my VB36 lathe because it has a massive headstock with a 2" spindle shaft and 16" between the front and back spindle bearings.

Chalk

Eraser

[Lee Valley - Rolly Munro Web Page](#) (On 9/18/2014)

 **Lee Valley & Veritas**<sup>®</sup>

## Munro Articulated Hollower 2



An excellent hollower for medium to large vessels, this tool has been updated with new linkages to allow for both inboard and outboard turning, and to include durable HSS cutters. Used alone or in combination with the two 1-1/2" arm linkages, the articulating cutter head allows you to form a large range of vessel shapes and sizes, and to reach difficult areas such as the inside shoulders of semi-enclosed forms.


An adjustable hood over the circular carbide steel cutter sets depth of cut – open for heavy hogging, to near closed for fine shear cuts. When dull, the circular cutter is simply rotated to reveal a fresh edge. An included jig helps hold the small cutters securely for sharpening.

The 5/8" diameter, 16-3/4" long steel tool shaft allows substantial reach into deep vessels. The hollow aluminum handle with cushioned grip is about 19-1/2" long by 1-1/2" in diameter. Ballast, such as lead shot, can be added for stability and to absorb vibration. The tool shaft secures with a three-wing knob that, when aligned with the cutter head, provides a visual reference of the cutter position within hollow forms.


The cutter head and arm linkages are stainless steel. Comes with three cutters (one installed, two extra), a sharpening jig, hex keys, a screwdriver set and instructions.

Made in New Zealand



**Munro Articulated Hollower 2** \$339.00 

83B01.08 [View](#) Acc Tech Instr

**Repl. Blade, Chisel Plane** \$29.50 

83B01.09 [View](#) Acc Tech Instr

Chalk

Eraser

[Packard Woodworks - Rolly Munro Web Page](#) (On 9/18/2014)



## Munro Articulated Hollower2



**SAVE 10%**

**Regular Price-\$269.95 Sale Price-\$242.95**

The Munro Hollower2 uses a round high-speed steel cutter that measures about 1/2" in diameter. A mandrel for sharpening the cutter on a bench grinder is included. The cutter head features an adjustable depth gauge that keeps the tool from self feeding or getting catches.

The Hollower2 can be used to hollow a wide range of vessel shapes. The specially designed links can be used alone or in combination for inboard or outboard situations. The tool has a shank that measures 5/8" diameter by 17" with a 1-1/2" diameter by 19" handle. The tool shank can be extended from the handle to the desired length. The Hollower2 is available handled or unhandled.

**Included with the tool: 5/8" shank, 2 links, cutter head, depth gauge, 1/2" cutter, sharpening mandrel wrenches and instructions.**

Code	Name	Price	
<a href="#">101210</a>	Munro Articulated Hollower2	\$242.95	<a href="#">+Cart</a>
<a href="#">101210C</a>	Pkg of 2 Munro Hollower2 Cutters	\$19.95	<a href="#">+Cart</a>
<a href="#">101226C</a>	Munro Hollower2 Carbide Cutter	\$23.95	<a href="#">+Cart</a>
<a href="#">101226S</a>	Munro Hollower2 Torx Screw	\$1.95	<a href="#">+Cart</a>
<a href="#">101226W</a>	Munro Hollower2 Torx Wrench	\$5.95	<a href="#">+Cart</a>
<a href="#">101229</a>	Munro Hollower2 Carbide Kit - Cutter/Screw	\$24.95	<a href="#">+Cart</a>

Chalk

Eraser