

Carl's Jam Chucks

Carl B. Ford III

Studio Woodturner

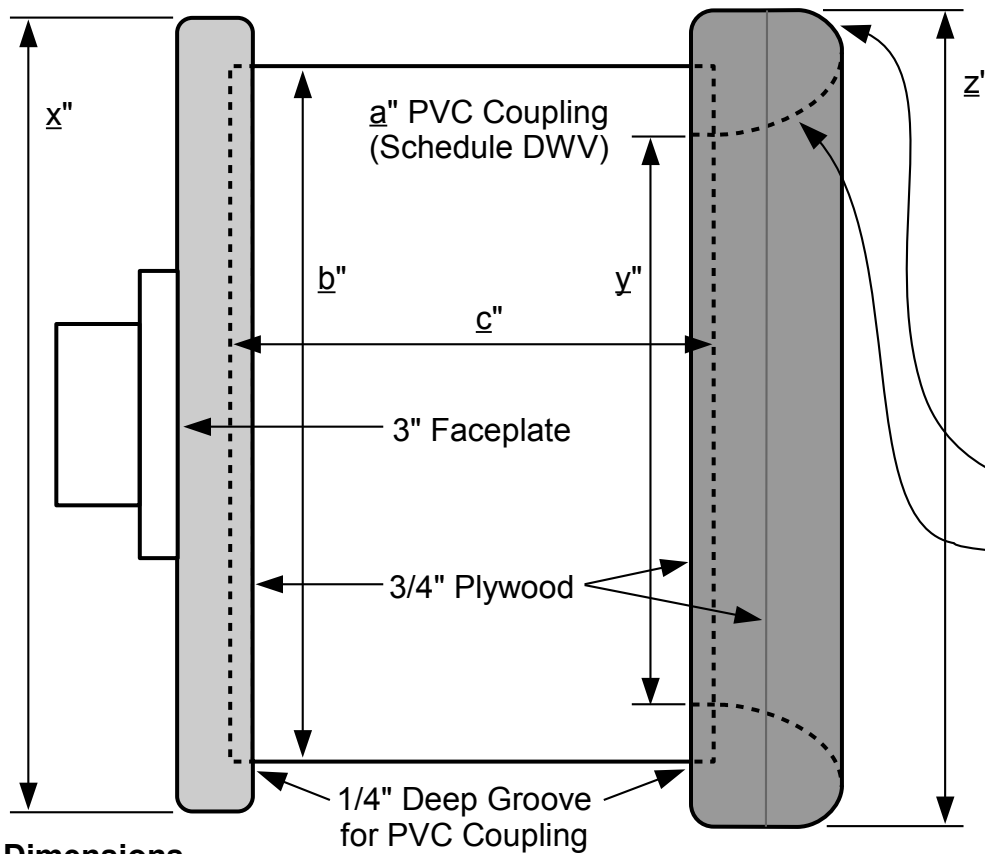
01/18/2023

www.carlford.us

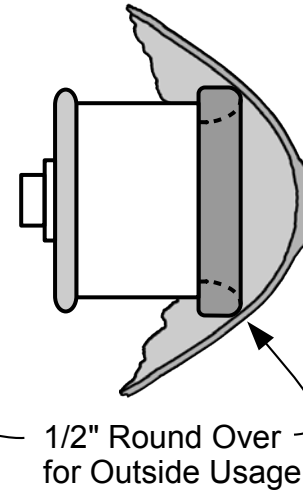
Page 1 of 3

Carl's Small, Medium & Large Jam or Vacuum Chucks

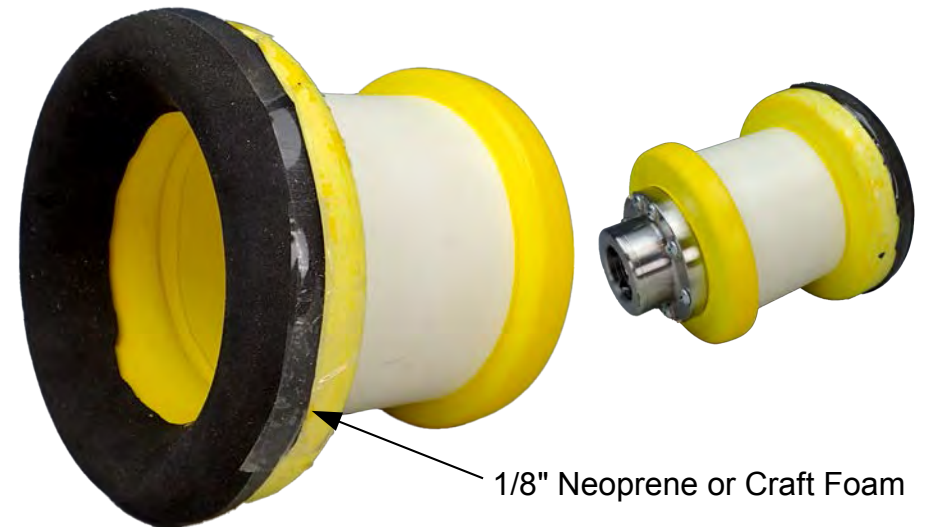
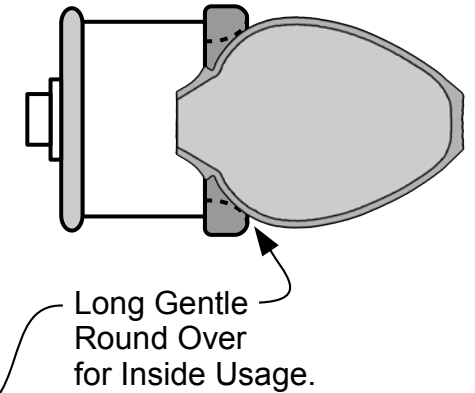
<https://carlford.us/blog/2023/01/carls-jam-chucks/>




Outside Example



Inside Example



Dimensions

	a PVC	b OD	c Length	x Base	y Inside	z Outside
Small	3"	3-7/8"	3-1/4"	4-7/8"	3-1/4"	5-1/2"
Medium	4"	5"	3-3/4"	6"	4-1/4"	7-1/4"
Large	6"	7-1/4"	5"	8-1/4"	6-1/4"	9-1/4"

Note: Schedule DWV PVC Fittings are sold by Home Depot. Same ID and OD as Schedule 40 PVC. Lower quality PVC.

Carl's Jam chucks are Drum Chucks that can be used with or without Vacuum.

Carl's Jam Chucks

Carl B. Ford III

Studio Woodturner

01/18/2023

www.carlford.us

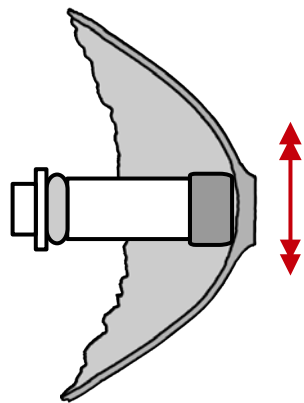
Page 2 of 3

Good & Bad Jam Chuck Size Examples

<https://carlford.us/blog/2023/01/carls-jam-chucks/>

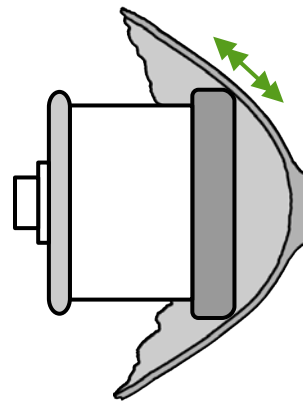
If work slides on a Jam Chuck for just a FRACTION of a second it will break the vacuum and ALL HELL BREAKS LOSE!

To Small



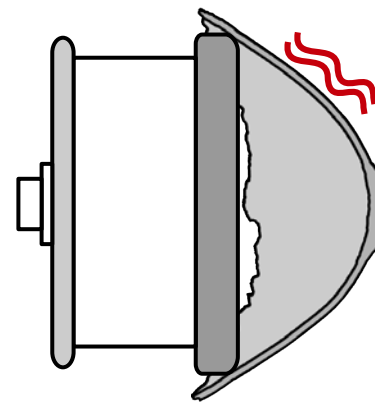
The chuck ONLY contacts the almost flat part in bottom of bowl thus it can EASILY slide Up or Down!

Good



The round shape of the bowl prevents sliding at 45 degree angle. The bowl must move right to slide and that is not likely!

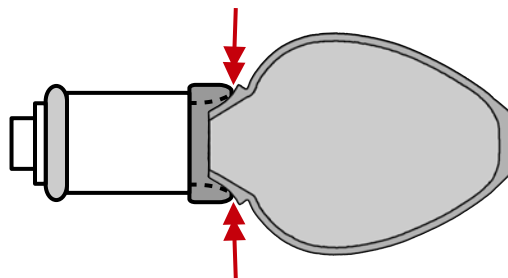
To Big



The thin bowl wall is going to flex to much. You will not be able to cut cleanly and it may shatter.

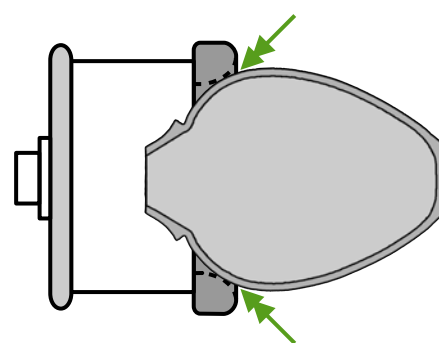
Jamming a cut edge bowl against a flat jam chuck or Cole Jaws fails for the same reason. If your bowl walls are thick you may get away with it.

To Small



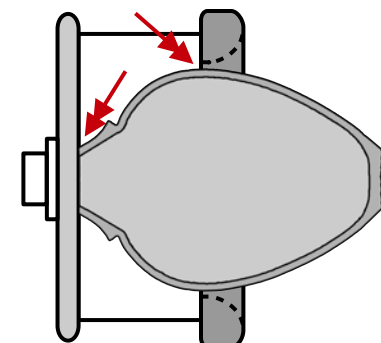
The vase sticks out to much! The contact point is to small. The vase can EASILY be knocked out of jam chuck or fly out.

Good



The vase contacts the jam chuck at a point where it will be held snugly and securely.

To Big



If the vase touches the bottom or falls thru the jam chuck rim then no good!

Carl's Jam Chucks

Carl B. Ford II

Studio Woodturner

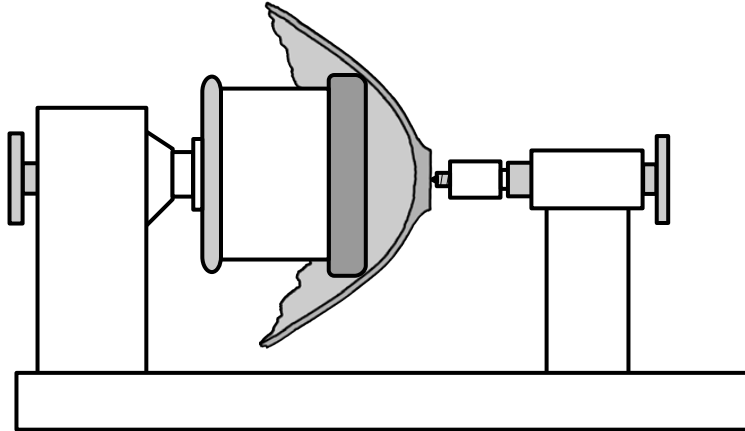
01/18/2023

www.carlford.us

Page 3 of 3

Headstock Jam Chuck

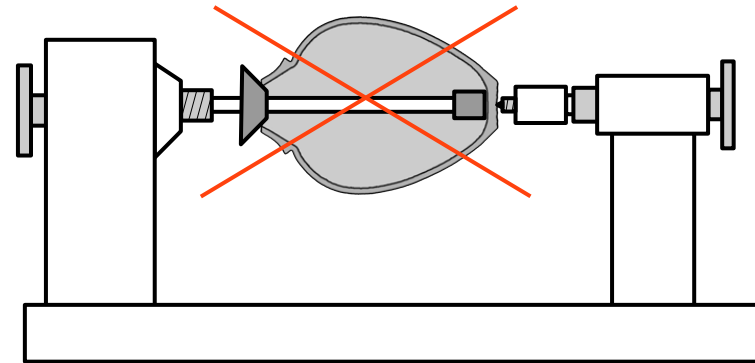
A Jam Chuck on the Headstock is used to finish the bottom of pieces.



<https://carlford.us/blog/2023/01/carls-jam-chucks/>

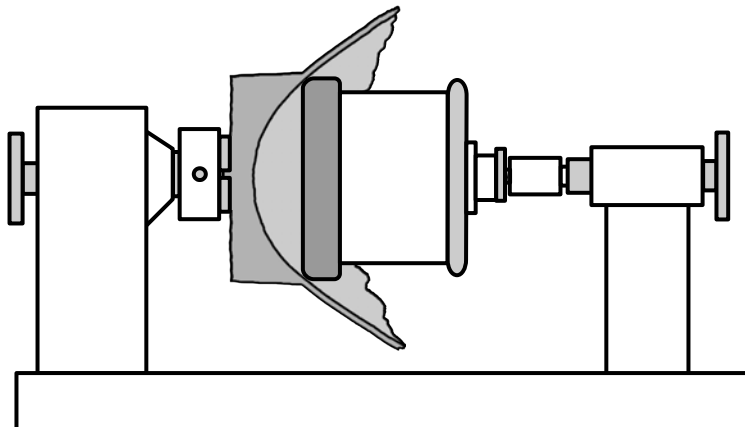
Hollow Form Mandrel Chuck

A good way to split a rim. No access to bottom for sanding.



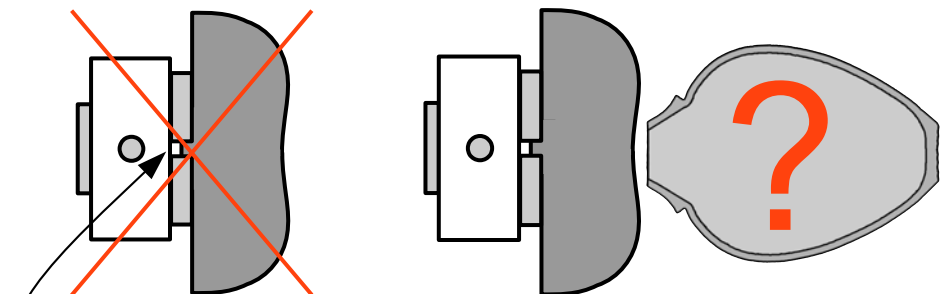
Tailstock Jam Chuck

A Jam Chuck on the Tailstock side minimizes thin wall vibration problems while turning the outside of a piece to match the inside.



Solid Wood Jam Chunk in 4 Jaw Chuck

4 Jaw Chucks are NOT air tight thus a Jam Chuck mounted in a 4 Jaw Chuck can NOT be used as a Vacuum Chuck.



Air Leak between jaws, etc. NOT Vacuum Tight.

Solid Wood Jam Chuck for Bowls does not work on Vases